

@ D`Ugh]W!9bWUdg i `UhY`HfUbg]ghc fg`

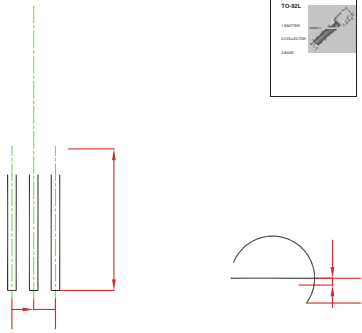
Òæ·^|{cáŠà}^æiæc^Á[-ÁÔ~!{^}cáÕæà}

VÜCEPÙQÙVUÜÁÇPÚPÐ

**A97<5B=75@ 85H5**

Ôæ·^Á·c^~KVUEJGŠÁ { [|â^âÁ]|æ·cá&

T [ ~ }cá} \*Á] [ •âcá [ ]Kæ} ^

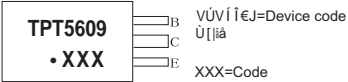


Symbol	Parameter	Value	Unit
V <sub>CB0</sub>			
V <sub>CE0</sub>			
V <sub>EB0</sub>			
I <sub>c</sub>			
P <sub>c</sub>		€TÍÁ	ÁY
T <sub>J</sub>			
T <sub>stg</sub>			

ORDERING INFORMATION

Part Number	Package	Packing Method	Pack Quantity
WÚVÍĚJ	VUEJGŠÁ	Ó·M	
WÚVÍĚJVE	VUEJGŠÁ	Ve]Á	

MARKING



Equivalent Circuit

